

## Cable Management Rings for 483 mm (19") Cabinets



✓ Easy installation

✓ sturdy steel sheet

✓ Set= 10 pieces

✓ available in color grey and black

### Abstract

Cable management rings for 483 mm (19") cabinets, color grey (RAL 7035) or black (RAL 9005)

### Features

- for installation on the 483 mm (19") profile rails
- available in three sizes
- sturdy steel sheet
- delivery as a set with 10 pieces
- incl. fixing material
- available in color grey (RAL 7035) and black (RAL 9005)

### Product Overview

The cable management rings keep your 483 mm (19") cabinet organized.

This sturdy steel sheet construction offers a flexible and perfect solution for structured cabling.

The delivery content includes 10 cable management rings as well as the needed fixing material.

### Product Number Information

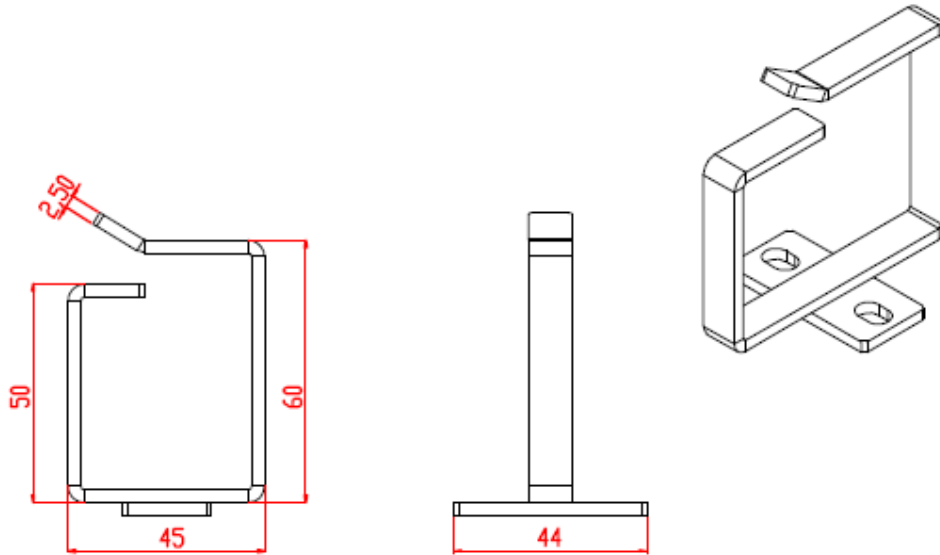
Item code	Color	Product dimensions (HxWxD) in mm
DN-19 ORG-1	Grey (RAL 7035)	45x60x44 mm
DN-19 ORG-1-SW	Black (RAL 9005)	
DN-19 ORG-2	Grey (RAL 7035)	45x110x44 mm
DN-19 ORG-2-SW	Black (RAL 9005)	
DN-19 ORG-3-1	Grey (RAL 7035)	70x158x44 mm
DN-19 ORG-3-SW	Black (RAL 9005)	

### Logistic Data

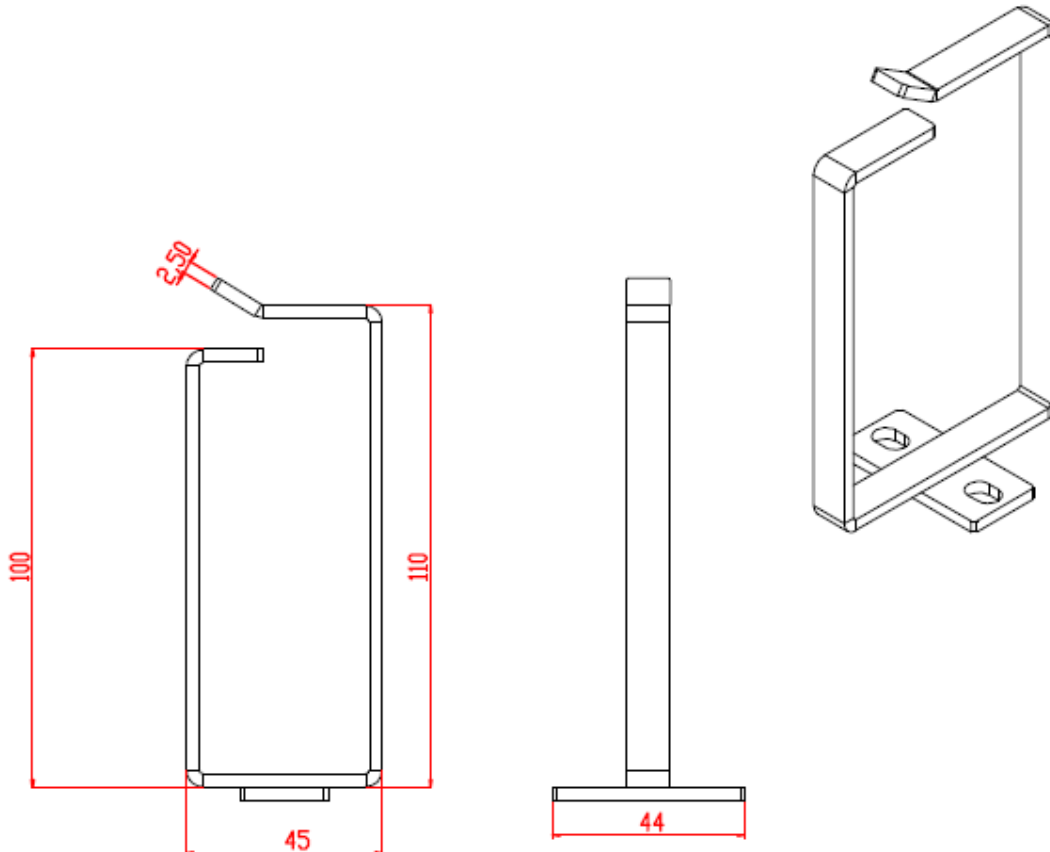
Item code	Packaging dimensions (HxWxD) in mm	Net weight in kg	Gross weight in kg
DN-19 ORG-1	50x145x100 mm	0.065 kg	0.8 kg
DN-19 ORG-1-SW			
DN-19 ORG-2	50x280x160 mm	0.055 kg	0.9 kg
DN-19 ORG-2-SW			
DN-19 ORG-3-1	90x200x160 mm	0.092 kg	1.1 kg
DN-19 ORG-3-SW			

**Technical Drawings**

**DN-19 ORG-1 & DN-19 ORG-1-SW**



**DN-19 ORG-2 & DN-19 ORG-2-SW**



**DN-19 ORG-3-1 & DN-19 ORG-3-SW**

